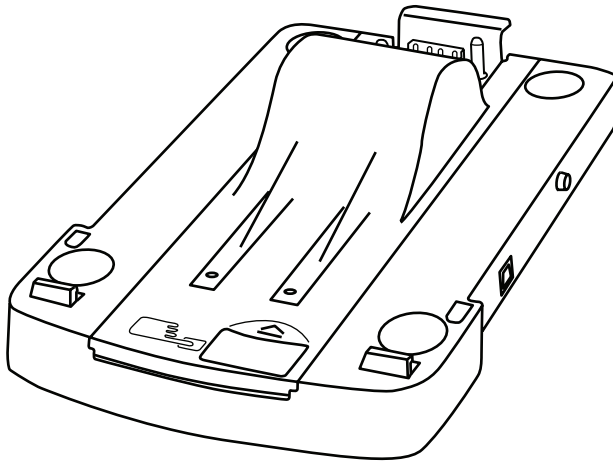


Cashmaster *printer zero*

User Manual



CONTENTS

Connecting/disconnecting the printer.....	1
Connecting power to the printer.....	2
Installing paper.....	3
Operation.....	4
Printer specifications.....	4
Global Support.....	5

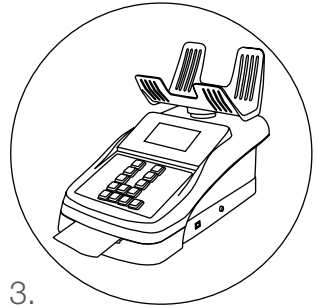
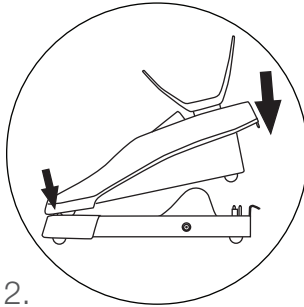
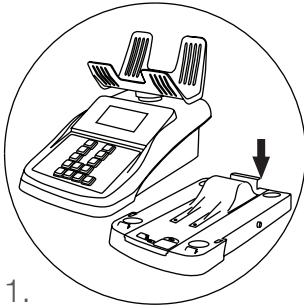
Faster, Accurate and Even More Intelligent

Copyright © 2009 Cashmaster International. All rights reserved. This document may not be copied or reproduced in whole or in part, or transferred to any other media or language, by means without the written prior permission of Cashmaster International. We reserve the right to make changes to this document and to the product described herein without obligation to notify any persons of such changes.

CONNECTING/DISCONNECTING THE PRINTER

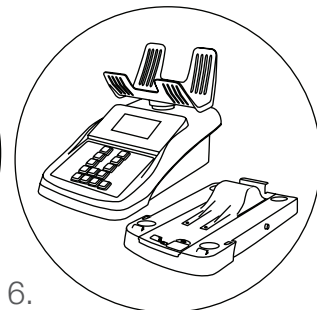
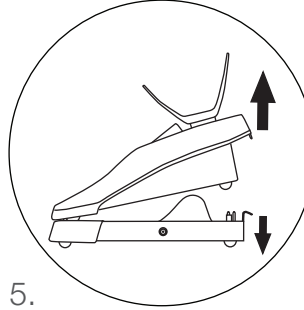
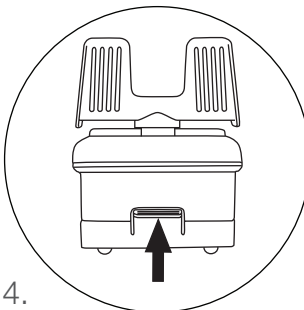
Connecting the scale to the printer

1. Place the printer on a level surface. See fig 1.
2. Lower the scale on to the printer so that the hooks at the front of the printer engage with the apertures on the underside of the scale. See fig 2.
3. While holding the front of the scale down firmly against the printer with forefinger and thumb of one hand, press down on the back of the scale with the other hand. See fig 2. & 3.



Disconnecting a scale from the printer

1. Place the printer with a scale attached on a level surface.
2. While holding the handle on the back of the printer with one hand, pull the back of the scale up with the other hand. See fig 4.
3. Continue to lift the scale away from the printer until it completely disengages. See fig 5. & 6.



CONNECTING POWER TO THE PRINTER

The printer has an internal battery that will supply power when the printer is not connected to a mains supply, making the scale with printer attached completely portable. When a 12Vdc mains adapter is connected to the power supply socket, the scale will take its power from this source and charge its internal battery. If the printer is attached to a scale, a 12Vdc mains adapter may be connected to the power supply socket on either the printer or the scale – power for operation and battery charging will automatically be shared between the two devices.

Warning

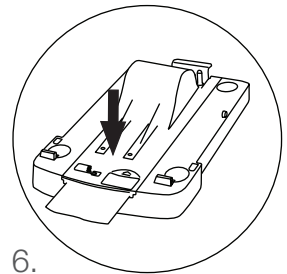
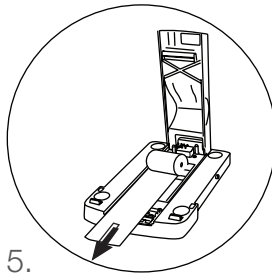
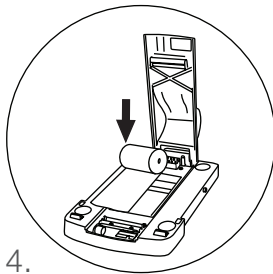
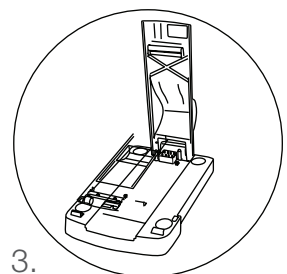
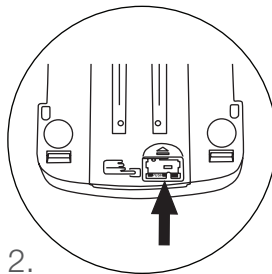
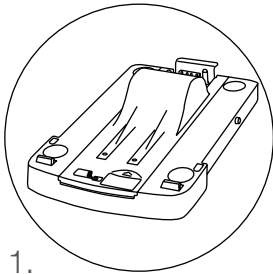
Do not use a damaged or wet power adapter.

Do not connect power adapter with wet hands.

Do not disassemble the device, sensitive elements in the printer may be affected and this will affect your warranty.

INSTALLING PAPER

1. Place the printer on a level surface. See fig 1.
2. If the printer has a scale attached, disconnect it. See fig 2.
3. Press the blue printer mechanism release button firmly (this may be partially obscured by paper if the last roll of paper has not been finished). See fig 3.
4. Fully raise the printer cover. See fig 4.
5. Remove any remaining parts of the last paper roll and place a new paper roll in the paper roll cavity; ensuring paper will be fed from the underside of the roll. See fig 5.
6. Pull the paper past the paper guides, over the printer mechanism and past the front of the printer. See fig 6.
7. While holding on to the end of the paper and ensuring the paper is lying flat and parallel to the paper guides, close the printer cover and press down firmly so that the printer mechanism clicks into place. See fig 7.
8. Tear off any excess paper by pulling the paper briskly upward and angled against the teeth of the tear off edge.



OPERATION

When the printer is connected to a scale, and the scale sends data to be printed, the printer will print the data that has been sent. Paper may be fed through by pressing the paper feed button on the left side of the printer.

While running on battery power, the scale will automatically go into sleep mode while it is not being used to conserve battery power. The scale will wake up if; print data is sent (return to sleep mode when print is complete), DC power is connected or the paper feed button is held for more than 2 seconds (paper fed button will wake up the printer for 15 seconds, then it will return to sleep mode). While running on battery power there may be a short delay before printing starts, because of the need to wake up the printer. While running from a 12Vdc power adaptor, a LED in the centre of the paper feed button will indicate the battery charge state.

PRINTER SPECIFICATIONS

Weight	0.62kg
Dimension	168mm (W) x 72mm (H) x 270mm (D)
Power Supply	Mains adapter 12V 2.5A
LED red:	Battery charging
LED green:	Battery fully charged
LED flashing red/green:	Very low battery charge – trickle charging
LED off:	Power from battery only
Battery Type	LiPo 7.4V 1250mAh

GLOBAL SUPPORT

North America

t: +1 877 227 4627

e: enquiriesusa@cashmaster.com

Hong Kong and Asia

t: +852 2157 9363

e: enquiriesasia@cashmaster.com

Germany

t: +49 (0) 2463 999 339

e: germany@cashmaster.com

UK and all other customers

t: +44 (0) 1383 410 121

e: support@cashmaster.com

cashmaster.com



www.cashmaster.com